



MASTER & DYNAMIC

USER MANUAL - MW01 WIRELESS BLUETOOTH ADAPTER/TRANSMITTER

Master & Dynamic is a New York City-based premium audio company with a deep passion for building technically sophisticated sound tools. Designed to be modern yet timeless, our products utilize only the finest materials and are engineered to last, creating the perfect balance of aesthetics, strength, comfort, and exceptional sound.

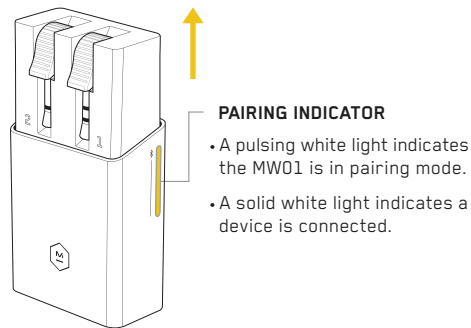
NEVER SOUND THE SAME

ABOUT

The MW01 lets you use wireless headphones or earphones with in-flight entertainment, gym equipment, or other places where there's a single or double prong 3.5mm audio input and no Bluetooth connectivity

ON / PAIRING

To Power ON, pull the MW01 into the extended position.



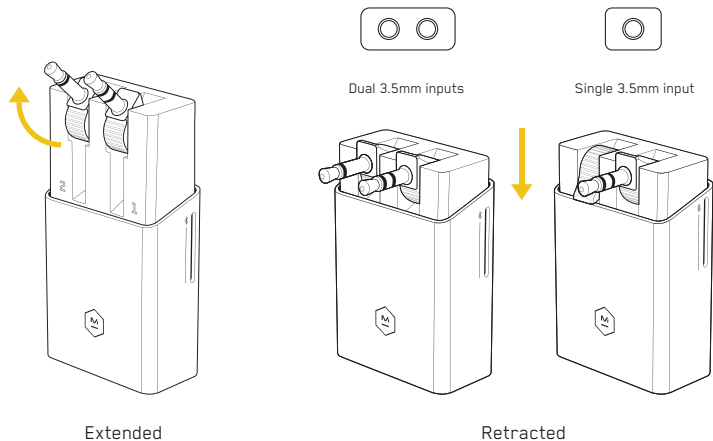
PAIRING INDICATOR

- A pulsing white light indicates the MW01 is in pairing mode.
- A solid white light indicates a device is connected.

The first time you power ON the MW01 it will automatically enter pairing mode. To manually activate pairing mode, leave the MW01 in the extended position for 5+ seconds and look for the pairing indicator light. Once in pairing mode, activate pairing mode on your earphones and place them adjacent to your MW01.

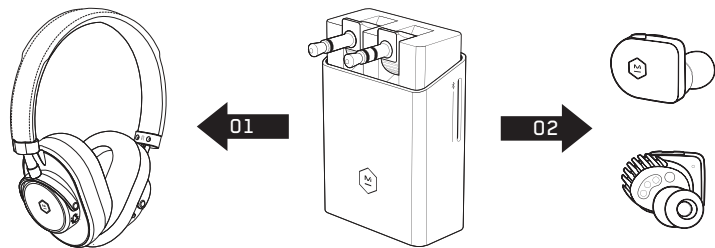
USING THE DEVICE

The MW01 will automatically connect to previously connected headphones/earphones. Select the number of prongs required to connect to the audio input of the intended analog (wired) device. If using a one-prong connection (auxiliary), use only the prong marked "1".



Once prongs are selected, push down to retract the MW01 and connect the prongs to your analog device.

CONNECTING A SECOND PAIR OF WIRELESS HEADPHONES OR EARPHONES FOR SHARED LISTENING



Connect to your first pair of earphones or headphones, then activate pairing mode again by putting the MW01 into the extended position and tucking away both prongs. Do not power OFF. Once the MW01 is in pairing mode (indicated by a pulsing white light), activate pairing mode on your second pair of earphones or headphones and place them adjacent to your MW01. A solid white light indicates you are connected. Select the required prongs and use MW01 normally. The MW01 will automatically forget the second earphone or headphone after you power OFF.

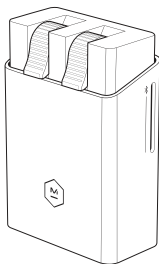
BATTERY

The MW01 has up to 22 hours of battery life.



Battery Indicator light is only shown when powering ON/OFF or charging the MW01.

● HIGH ● MED ● LOW



To preserve battery life, The MW01 will POWER OFF after 10 minutes of inactivity.

The MW01 must be manually powered off (tuck away the prongs and retract the MW01) and powered back on again in order to reconnect.

TROUBLESHOOTING

TROUBLE PAIRING MW01 TO EARPHONES OR HEADPHONES

- Try turning OFF Bluetooth on any other device your earphones or headphones are connected to.
- Cycle the MW01 OFF/ON by tucking away the prongs and retracting the sleeve and then placing back into pairing mode (MW01 extended with both prongs retracted). Make sure your earphones and/or headphones are powered on and set to pairing mode. Place your earphone and/or headphones adjacent to the MW01 until the MW01 indicates it is paired with a solid white light.

NO AUDIO OR POOR AUDIO QUALITY FROM A CONNECTED BLUETOOTH DEVICE

- Move the device closer to the earphones, as physical objects between the earphones and the source may obstruct the signal. Try a different audio device and see if the problem persists.

MAINTENANCE + CARE

To clean the MW01, you can use a microfiber cloth. Do not use alcohol or other cleaning substances on the product.

Do not drop, sit on, or allow the product to be exposed to water, moisture, or temperature extremes.

TEMPERATURE RANGE

Operate and store this product within the temperature range of -4°F to 113°F (-20°C to 45°C) only. Charge the battery where the temperature is between 41°F and 104°F (5°C and 40°C) only.

EAR HEALTH

Our ability to hear is amazing. Treat your ears like the precious tools they are, and they will continue to provide you with exceptional data, as well as a lifetime of incredible sonic experiences.

In general, do not listen “too loud or for too long,” and be attentive to your own ears. Ringing, discomfort, or sensitivity to high frequencies and treble may be a signal from your ears that you are pushing them to their limits and causing irreparable damage.

As a general practice, find what seems to be your preferred listening level and then adjust the volume down another 10% or more. Surprisingly, your ears will attune to a slightly lower volume over time, and what seems quiet at first can be perfect for longer listening periods.

NIHL (NOISE INDUCED HEARING LOSS)

NIHL is a preventable condition caused by both one-time and extended exposure to excessive decibel (dB) levels. This harm to sensitive inner ear structures is irreversible and people of all ages can be affected. Damage can happen in a single event or gradually over time. One-time exposure to an intense “impulse” sound, such as an explosion, or by continued exposure to loud sounds over 85 decibels can cause harm. Indicators of NIHL include hearing loss and tinnitus, a condition of sensing constant ringing, buzzing or roaring. The NIDCD (National Institute on Deafness and Other Communication Disorders) offers this simple rule of thumb: avoid sound exposure that is “too loud, too close or too long.” Here are some general references to sound levels that occur in everyday life: refrigerator humming (45 dB); normal conversation (60 dB); city traffic (85 dB); motorcycles (95 dB); an MP3 player at full volume (105 dB); sirens (120 dB); firecrackers (150 dB).